

REACTORS AND AGITATORS

APPLICATIONS IN INDUSTRIAL INSTALLATIONS

Reactors and agitators are the specialist tanks of cylindrical conical construction made from polyethylene PEHD, moulded by rotational system. Tanks are in steel frames and adapted for installation mixer and armature.

Tanks may be provided without fittings, in steel frame or equipped with typical accessories:

- agitator,
- additional cover,
- inlet and outlet connection,
- valves,
- chemical drain valves,
- pH and redox sensors,
- pipes etc.



CHARACTERISTICS OF THE REACTORS

- capacity $0,07 \text{ m}^3 \div 13,25 \text{ m}^3$,
- angle of the cone wall $25^\circ \div 60^\circ$,
- for liquids with density up to $2,2 \text{ g/cm}^3$,
- temperature range $-20^\circ \text{ C} \div +60^\circ \text{ C}$,
- execution of the decanter frames:
 - powder coated steel,
 - galvanized steel,
 - stainless steel 304,
- drain male thread: $1'' \div 4''$,
- high chemical resistance,
- resistance to UV radiation

Special group are the reactors with angle of conical wall 60° , because that angle guarantee complete removal of solids from reactor after sedimentation (eg. in galvanic wastewater treatment).

Tanks have high mechanical resistance, because don't have any welds (rotomoulding technique), low weight allows for easy transport and low installation costs on the industrial installations. Smooth internal and external surface allows easy cleaning.

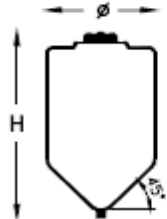
Certifications:

- Certificate of health quality,
- Certificate TÜV,
- Declaration of conformity,
- Declaration of conformity of production and chemical resistance.

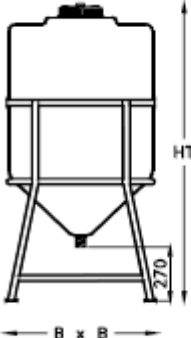


REACTORS AND AGITATORS
TYPE TCC



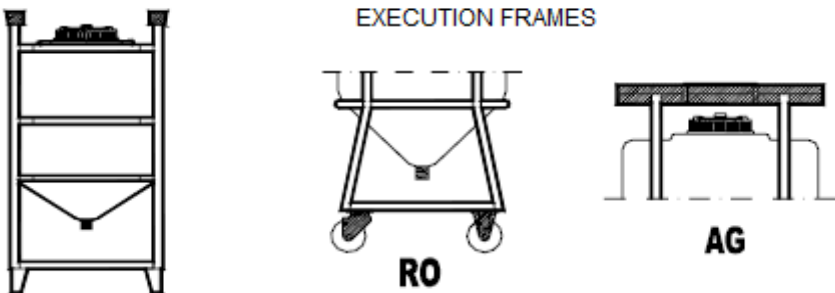


| TANKS WITHOUT FRAMES | TCC07 | TCC1R | TCC1/L | TCC2/L | TCC3/L |
|----------------------|-------|-------|--------|--------|--------|
| CAPACITY (L) | 77 | 100 | 138 | 208 | 320 |
| Ø | 380 | 460 | 460 | 595 | 675 |
| H | 920 | 870 | 1110 | 1070 | 1230 |



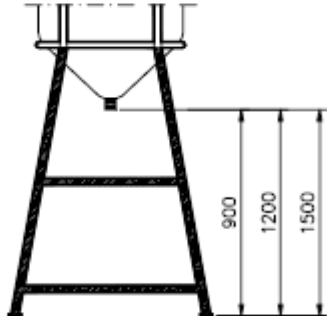
| TANKS WITH FRAMES | TCC07 | TCC1R | TCC1/L | TCC2/L | TCC3/L |
|-------------------|-------------------|-------|--------|--------|--------|
| B x B | 400 | 480 | 480 | 615 | 695 |
| HT | 1190 | 1140 | 1380 | 1340 | 1500 |
| SPECIFIC GRAVITY | g/cm ³ | | | | |
| STD | 2,0 | 2,0 | 1,6 | 1,6 | 1,6 |
| MA2 | | 2,4 | 2,0 | 2,0 | 2,0 |
| MA3 | | | 2,4 | | |

EXECUTION FRAMES



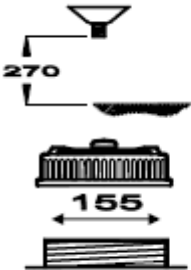
SV **RO** **AG**



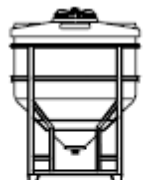
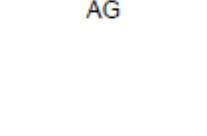
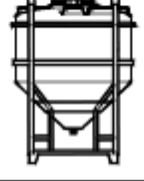

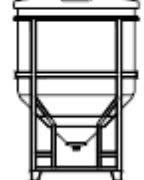

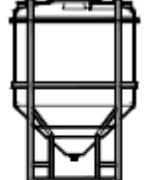

Powder coated steel
Galvanized steel
Stainless steel 304



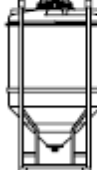
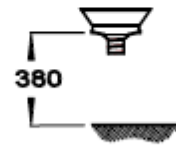
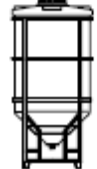




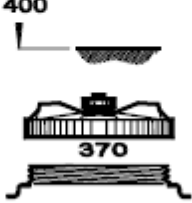


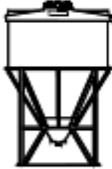




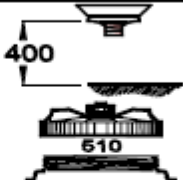

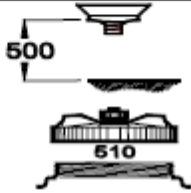
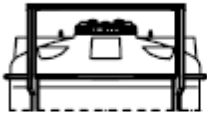


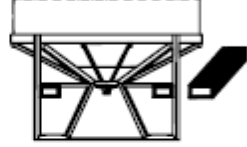
H

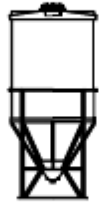
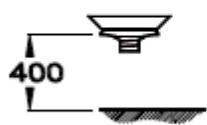
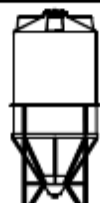

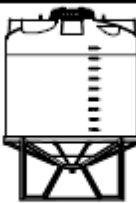
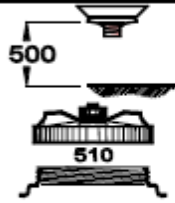

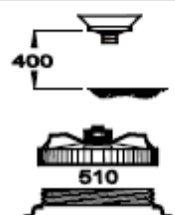
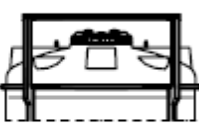

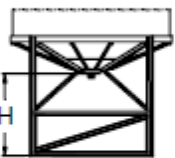
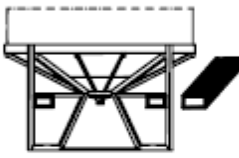
H1 - 900 mm
H2 - 1200 mm
H3 - 1500 mm

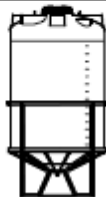



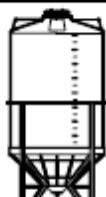

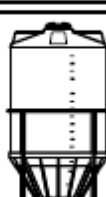

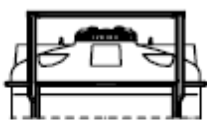

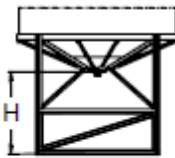
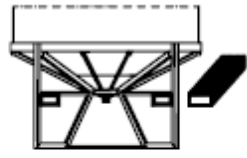


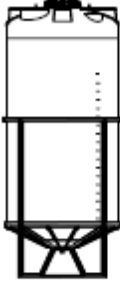
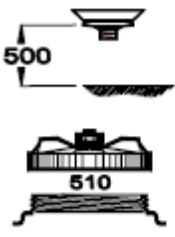
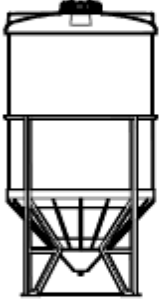
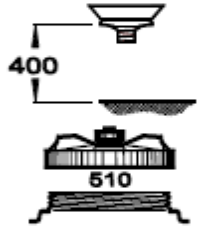
| TANK | TYPE | CAPACITY DIMENSIONS | VERSION | SPECIFIC GRAVITY | POSITION OF THE MIXER DRAIN/COVER |
|---|--------------------|---|---------|-----------------------|---|
|  | TCC 6/L AG | V = 650 L | STD | 1,3 g/cm ³ |  |
| | | Ø 1290 | MA/1 | 1,5 g/cm ³ | |
| | | H 1490 | MA/2 | 1,8 g/cm ³ | |
| | | ∇ 45° | MA/3 | 2,0 g/cm ³ | |
| | | | MA/4 | 2,2 g/cm ³ | |
|  | TCC 9/L AG | V = 980 L | STD | 1,3 g/cm ³ |  |
| | | Ø 1290 | MA/1 | 1,5 g/cm ³ | |
| | | H 1890 | MA/2 | 1,8 g/cm ³ | |
| | | ∇ 45° | MA/3 | 2,0 g/cm ³ | |
| | | | MA/4 | 2,2 g/cm ³ | |
|  | TCC 10/L AG | V = 1.000 L | STD | 1,3 g/cm ³ |  |
| | | Ø 1290 | MA/1 | 1,5 g/cm ³ | |
| | | H 1890 | MA/2 | 1,8 g/cm ³ | |
| | | ∇ 45° | MA/3 | 2,0 g/cm ³ | |
| | | | MA/4 | 2,2 g/cm ³ | |
|  | TCC 12/L AG | V = 1.280 L | STD | 1,3 g/cm ³ |  |
| | | Ø 1290 | MA/1 | 1,5 g/cm ³ | |
| | | H 2150 | MA/2 | 1,8 g/cm ³ | |
| | | ∇ 45° | MA/3 | 2,0 g/cm ³ | |
| | | | MA/4 | 2,2 g/cm ³ | |
|  | TCC 13/L AG | V = 1.300 L | STD | 1,3 g/cm ³ |  |
| | | Ø 1290 | MA/1 | 1,5 g/cm ³ | |
| | | H 2150 | MA/2 | 1,8 g/cm ³ | |
| | | ∇ 45° | MA/3 | 2,0 g/cm ³ | |
| | | | MA/4 | 2,2 g/cm ³ | |
| DRAIN MALE THREAD: | | 1", 1 1/4", 1 1/2", 2", 2 1/2", 3", 4" | | | |
| VALVES: | | ball and diaphragm valves made from PVC or PP | | | |
| FRAMES: | | carbon steel, galvanized steel, stainless steel 304 | | | |

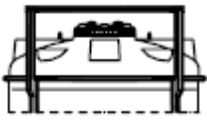

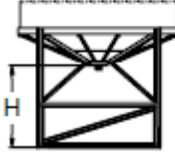

| TANK | TYPE | CAPACITY DIMENSIONS | VERSION | SPECIFIC GRAVITY | POSITION OF THE MIXER DRAIN/COVER |
|---|--------------------|---|---------|-----------------------|---|
|  | TCC 14/L AG | V = 1480 L | STD | 1,3 g/cm ³ |  |
| | | Ø 1290 | MA/1 | 1,5 g/cm ³ | |
| | | H 2340 | MA/2 | 1,8 g/cm ³ | |
| | | ∇ 45° | MA/3 | 2,0 g/cm ³ | |
| | | | MA/4 | 2,2 g/cm ³ | |
|  | TCC 15/L AG | V = 1500 L | STD | 1,3 g/cm ³ |  |
| | | Ø 1290 | MA/1 | 1,5 g/cm ³ | |
| | | H 2340 | MA/2 | 1,8 g/cm ³ | |
| | | ∇ 45° | MA/3 | 2,0 g/cm ³ | |
| | | | MA/4 | 2,2 g/cm ³ | |
|  | TCC 19/L AG | V = 1.980 L | STD | 1,3 g/cm ³ |  |
| | | Ø 1290 | MA/1 | 1,5 g/cm ³ | |
| | | H 2835 | MA/2 | 1,8 g/cm ³ | |
| | | ∇ 45° | MA/3 | 2,0 g/cm ³ | |
| | | | MA/4 | 2,2 g/cm ³ | |
|  | TCC 20/L AG | V = 1.280 L | STD | 1,3 g/cm ³ |  |
| | | Ø 1290 | MA/1 | 1,5 g/cm ³ | |
| | | H 2835 | MA/2 | 1,8 g/cm ³ | |
| | | ∇ 45° | MA/3 | 2,0 g/cm ³ | |
| | | | MA/4 | 2,2 g/cm ³ | |
|  | TCC 21/L AG | V = 2.000 L | STD | 1,3 g/cm ³ |  |
| | | Ø 1290 | MA/1 | 1,5 g/cm ³ | |
| | | H 2855 | MA/2 | 1,8 g/cm ³ | |
| | | ∇ 45° | MA/3 | 2,0 g/cm ³ | |
| | | | MA/4 | 2,2 g/cm ³ | |
| DRAIN MALE THREAD: | | 1", 1 1/4", 1 1/2", 2", 2 1/2", 3", 4" | | | |
| VALVES: | | ball and diaphragm valves made from PVC or PP | | | |
| FRAMES: | | carbon steel, galvanized steel, stainless steel 304 | | | |

| TANK | TYPE | CAPACITY DIMENSIONS | VERSION | SPECIFIC GRAVITY | POSITION OF THE MIXER DRAIN/COVER |
|---|---|---|---|-----------------------|---|
|  | TCC 27/L | V = 2.700 L | STD | 1,3 g/cm ³ |  |
| | | Ø 1680 | MA/1 | 1,5 g/cm ³ | |
| | | H 2760 | MA/2 | 1,8 g/cm ³ | |
| | | ∇ 60° | MA/3 | 2,0 g/cm ³ | |
| | AG | | MA/4 | 2,2 g/cm ³ | |
|  | TCC 30/L | V = 2.950 L | STD | 1,3 g/cm ³ |  |
| | | Ø 1680 | MA/1 | 1,5 g/cm ³ | |
| | | H 2960 | MA/2 | 1,8 g/cm ³ | |
| | | ∇ 60° | MA/3 | 2,0 g/cm ³ | |
| | AG | | MA/4 | 2,2 g/cm ³ | |
|  | TCC 31/L | V = 2.900 L | STD | 1,3 g/cm ³ |  |
| | | Ø 2115 | MA/1 | 1,5 g/cm ³ | |
| | | H 2085 | MA/2 | 1,8 g/cm ³ | |
| | | ∇ 40° | MA/3 | 2,0 g/cm ³ | |
| | AG | | MA/4 | 2,2 g/cm ³ | |
|  | TCC 51/L | V = 5.200 L | STD | 1,3 g/cm ³ |  |
| | | Ø 2115 | MA/1 | 1,5 g/cm ³ | |
| | | H 2715 | MA/2 | 1,8 g/cm ³ | |
| | | ∇ 25° | MA/3 | 2,0 g/cm ³ | |
| | AG | | MA/4 | 2,2 g/cm ³ | |
|  |  |  |  | | |
| AG | AG | H | TN | | |
| DRAIN MALE THREAD: | | 1", 1 1/4", 1 1/2", 2", 2 1/2", 3", 4" | | | |
| VALVES: | | ball and diaphragm valves made from PVC or PP | | | |
| FRAMES: | | carbon steel, galvanized steel, stainless steel 304 | | | |

| TANK | TYPE | CAPACITY DIMENSIONS | VERSION | SPECIFIC GRAVITY | POSITION OF THE MIXER DRAIN/COVER |
|---|---|---|---|-----------------------|---|
|  | TCC 53/L AG | V = 5.350 L | STD | 1,3 g/cm ³ |  |
| | | Ø 1685 | MA/1 | 1,5 g/cm ³ | |
| | | H 4110 | MA/2 | 1,8 g/cm ³ | |
| | | ∇ 60° | MA/3 | 2,0 g/cm ³ | |
| | | | MA/4 | 2,2 g/cm ³ | |
|  | TCC 55/L AG | V = 5.600 L | STD | 1,3 g/cm ³ |  |
| | | Ø 1685 | MA/1 | 1,5 g/cm ³ | |
| | | H 4320 | MA/2 | 1,8 g/cm ³ | |
| | | ∇ 60° | MA/3 | 2,0 g/cm ³ | |
| | | | MA/4 | 2,2 g/cm ³ | |
|  | TCC 60/L AG | V = 6.100 L | STD | 1,3 g/cm ³ |  |
| | | Ø 2022 | MA/1 | 1,5 g/cm ³ | |
| | | H 3060 | MA/2 | 1,8 g/cm ³ | |
| | | ∇ 25° | MA/3 | 2,0 g/cm ³ | |
| | | | MA/4 | 2,2 g/cm ³ | |
|  | TCC 75/L AG | V = 7.500 L | STD | 1,3 g/cm ³ |  |
| | | Ø 2100 | MA/1 | 1,5 g/cm ³ | |
| | | H 4095 | MA/2 | 1,8 g/cm ³ | |
| | | ∇ 60° | MA/3 | 2,0 g/cm ³ | |
| | | | MA/4 | 2,2 g/cm ³ | |
|  |  |  |  | | |
| AG | AG | H | TN | | |
| DRAIN MALE THREAD: | | 1", 1 1/4", 1 1/2", 2", 2 1/2", 3", 4" | | | |
| VALVES: | | ball and diaphragm valves made from PVC or PP | | | |
| FRAMES: | | carbon steel, galvanized steel, stainless steel 304 | | | |

| TANK | TYPE | CAPACITY DIMENSIONS | VERSION | SPECIFIC GRAVITY | POSITION OF THE MIXER DRAINCOVER |
|---|---|---|---|-----------------------|---|
|  | TCC 88/L AG | V = 8.900 L | STD | 1,3 g/cm ³ |  |
| | | Ø 2120 | MA/1 | 1,5 g/cm ³ | |
| | | H 4040 | MA/2 | 1,8 g/cm ³ | |
| | | △ 25° | MA/3 | 2,0 g/cm ³ | |
| | | | MA/4 | 2,2 g/cm ³ | |
|  | TCC 100/L AG | V = 10.200 L | STD | 1,3 g/cm ³ |  |
| | | Ø 2120 | MA/1 | 1,5 g/cm ³ | |
| | | H 4495 | MA/2 | 1,8 g/cm ³ | |
| | | △ 25° | MA/3 | 2,0 g/cm ³ | |
| | | | MA/4 | 2,2 g/cm ³ | |
|  | TCC 101/L AG | V = 10.100 L | STD | 1,3 g/cm ³ |  |
| | | Ø 2116 | MA/1 | 1,5 g/cm ³ | |
| | | H 4685 | MA/2 | 1,8 g/cm ³ | |
| | | △ 45° | MA/3 | 2,0 g/cm ³ | |
| | | | MA/4 | 2,2 g/cm ³ | |
|  | TCC 102/L AG | V = 10.000 L | STD | 1,3 g/cm ³ |  |
| | | Ø 2116 | MA/1 | 1,5 g/cm ³ | |
| | | H 4915 | MA/2 | 1,8 g/cm ³ | |
| | | △ 60° | MA/3 | 2,0 g/cm ³ | |
| | | | MA/4 | 2,2 g/cm ³ | |
|  |  |  |  | | |
| AG | AG | H | TN | | |
| DRAIN MALE THREAD: | | 1", 1 1/4", 1 1/2", 2", 2 1/2", 3", 4" | | | |
| VALVES: | | ball and diaphragm valves made from PVC or PP | | | |
| FRAMES: | | carbon steel, galvanized steel, stainless steel 304 | | | |

| TANK | TYPE | CAPACITY DIMENSIONS | VERSION | SPECIFIC GRAVITY | POSITION OF THE MIXER DRAIN/COVER |
|---|---------------------|------------------------|---------|-----------------------|---|
|  | TCC 125/L AG | V = 12.640 L | STD | 1,3 g/cm ³ |  |
| | | Ø 2140 | MA/1 | 1,5 g/cm ³ | |
| | | H 5260 | MA/2 | 1,8 g/cm ³ | |
| | | ∇ 25° | MA/3 | 2,0 g/cm ³ | |
| | | | MA/4 | 2,2 g/cm ³ | |
|  | TCC 130/L AG | V = 13.250 L | STD | 1,3 g/cm ³ |  |
| | | Ø 2380 | MA/1 | 1,5 g/cm ³ | |
| | | H 4920 | MA/2 | 1,8 g/cm ³ | |
| | | ∇ 50° | MA/3 | 2,0 g/cm ³ | |
| | | | MA/4 | 2,2 g/cm ³ | |

| | | | |
|---|---|---|---|
|  |  |  |  |
| AG | AG | H | TN |
| DRAIN MALE THREAD: | | 1", 1 1/4", 1 1/2", 2", 2 1/2", 3", 4" | |
| VALVES: | | ball and diaphragm valves made from PVC or PP | |
| FRAMES: | | carbon steel, galvanized steel, stainless steel 304 | |