

## EFFECTIVE WASTEWATER SOLUTIONS

## SALSNES FILTER SF Floc series

**Salsnes Filter SF Floc series** are fully automated mechanical wastewater treatments systems for extended primary treatment in municipal or industrial applications, using an integrated flocculation front-end with the standard Salsnes technology. The SF Floc series also includes integrated dewatering system for the filtrated sludge. The system is prepared for odour control with its enclosed design and connection pipe for ventilation and odour control systems.

**SF Floc models** (stand-alone) are provided in 4 different, basic versions supporting a wide range of flow rates and with no limitations in flow capacity designs. Versions without dewatering and mirrored versions, to ease connections for duty/standby or parallel operation, may also be provided on request . The system are provided in stainless steel 304 or 316L, dependent on requirements. Salsnes Filters type SF Floc are very solid and compact in design.

### Technical data:

- **SF1000 Floc**

Capacity*:	15 l/s
Separation efficiency*:	40-70%
Dry substance*:	25-35%
Size DxWxS:	1280x1300x1330mm
Weight (incl. water):	540kg
Inlet:	Ø100mm
Outlet :	Ø150mm
Overflow:	Common outlet/overflow
  
- **SF2000 Floc**

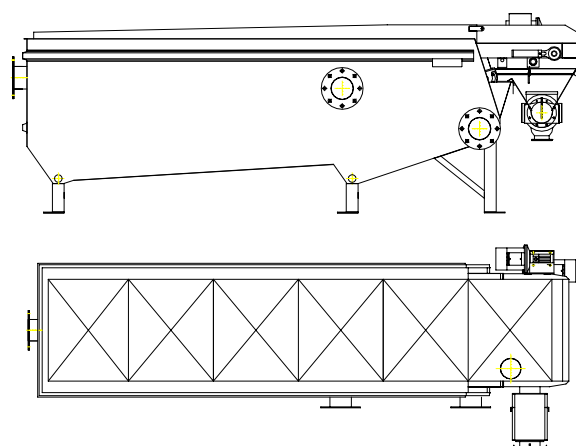
Capacity*:	40 l/s
Separation efficiency*:	40-70%
Dry substance*:	25-35%
Size DxWS:	1896x1350x950mm
Weight (incl. water):	990kg
Inlet:	Ø150/250mm
Outlet:	Ø250mm
Overflow:	Ø250mm
  
- **SF4000 Floc**

Capacity*:	80 l/s
Separation efficiency*:	40-70%
Dry substance*:	25-35%
Size DxWxS:	2245x2070x1482mm
Weight (incl. water):	1420kg
Inlet:	Ø200/350mm
Outlet:	Ø350mm
Overflow:	Ø350mm
  
- **SF6000 Floc**

Capacity*:	160 l/s
Separation efficiency*:	40-70%
Dry substance*:	25-35%
Size DxWxS:	2782x2362x1790mm
Weight (incl. water):	1720kg
Inlet:	Ø250/400mm
Outlet:	Ø400mm
Overflow:	Ø400mm

### Design:

#### SF1000 – 6000 Floc:



Salsnes Filter SF Floc 4000

\* Values based on filtration and dewatering of municipal wastewater with 350 µm filter cloth, SS concentration of 250 mg/l and particle size evenly distributed between 0 ÷ 1 mm.